

HXK型 航行信号灯控制器

Navigation and signal lights controller

概述

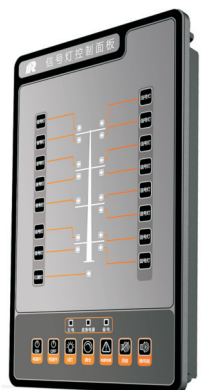
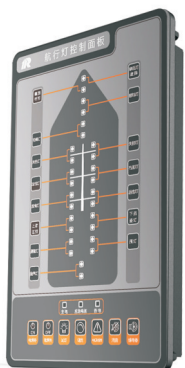
Overview

HXK型航行信号灯控制器应用于对船舶航行灯、信号灯的控制和状态显示。控制器设有调光、试灯、消音等按钮，具有主备电源自动转换、主电失电报警、航行信号灯故障报警等功能。

产品满足CCS规范、国际海上避碰规则以及内河避碰规则。

HXK Navigation and signal light controller is used to control the navigation lights and signaling lights on ships and display their status. It is provided with buttons for dimmer, lamp test, silence and so on, with main and standby power supply automatic switching, main power failure alarm, navigation light failure alarm and other functions.

The product meets the CCS classification standard, international regulations for preventing collisions at sea and regulations for preventing collisions in inland waters.



产品特点

Product features

- 控制面板采用LED指示、按键操作，按照实船布置模拟显示航行信号灯的位置，外形美观，指示清晰，便于观察、操作与维护

The control panel is provided with LED display and key operation, simulate the location of the navigation light based on the real ship layout, with nice appearance, clear indication, and easy to operate and maintain

- 控制面板具有本地调光功能，同时具有远程统一调光的CAN接口

The panel has a local dimming function, and has a CAN interface for remote unified dimming

- 支持LED类型的航行信号灯

Support external navigation and signal lights of LED

- 具有航行信号灯故障报警功能

With navigation and signal failure alarm

- 具有主备电源自动转换功能及主、备电失电报警功能

With main and standby power supply automatic switching and failure alarm

- 具有对外通信接口和VDR接口，并具有综合报警输出接口

With external communication interface and VDR interface, and with integrated alarm output interface

产品组成

Product composition

- 航行信号灯控制面板

Navigation and signal light control panel

- 航行信号灯控制箱

Navigation and signal light control box

▶ 技术指标

Technical index

■ 工作电压:

主电源: 单相AC220V ± 10%, 50/60Hz

备用电源: 单相AC220V ± 10%, 50/60Hz或
DC24V ± 20%(如备用电源为DC24V系统, 则
需配置逆变器)

Working voltage:

Main power supply: single-phase AC220V ± 10%,
50/60Hz

Standby power: single-phase AC220V ± 10%,
50/60Hz or DC24V ± 20%

(If the standby power is DC24V system, inverter is
needed)

■ 控制器功耗: 10W

Controller power dissipation: 10W

■ 控制功率: 100W/路(航行信号灯路数)

Control power: 100W/way (number of ways of
navigation and signal light)

■ 输出路数: 按照实际需求配置

Number of output ways: configure according to the
actual use

■ 输入信号: 外部消音信号(无源常开)

Input signal: external silence signal (normally open)

■ 产品标准尺寸见下表:

Product standard sizes are shown in the following table:

■ 输出信号: 综合报警信号(无源常开触点、 AC220V/2A)

Output signal: general alarm signal (normally open contact,
AC220V/2A)

■ 通信接口: 2路CAN、2路RS485

注: RS485信号满足“海上导航和通信系统2的标准
串行接口”IEC61162规范

Communication interface: 2-way CAN and 2-way RS485

Note: RS485 signals meet 'standard serial interface of
maritime navigation and communication system 2'
IEC61162 specification

■ 环境温度: -10℃ ~ 45℃

Working temperature: -10℃ ~ 45℃

■ 安装形式: 航行信号灯控制面板 嵌入式

航行信号灯控制箱 壁挂式

Structural type:

Navigation and signal light control panel flush-type

Navigation and signal light control box wall-mounted

■ 防护等级: 航行信号灯控制面板 IP20

航行信号灯控制箱 IP23

Protection grade:

Navigation and signal light control panel IP20

Navigation and signal light control box IP23

设备名称 Equipment name	路数 Number of ways	外形尺寸mm Outline dimensions (mm)			安装尺寸 Installation dimensions (mm)		备注 Remarks
		宽 W	高 H	深 D	宽 W	高 H	
航行信号灯控制面板 navigation and signal light control panel	≤40路 ≤40 ways	192	288	42	167	263	Fig.1
航行信号灯控制箱 navigation and signal light control box	≤20路 ≤20 ways	600	600	210	480	640	Fig.2
	≤30路 ≤30 ways	600	700	210	480	740	
	≤40路 ≤40 ways	600	800	210	480	840	

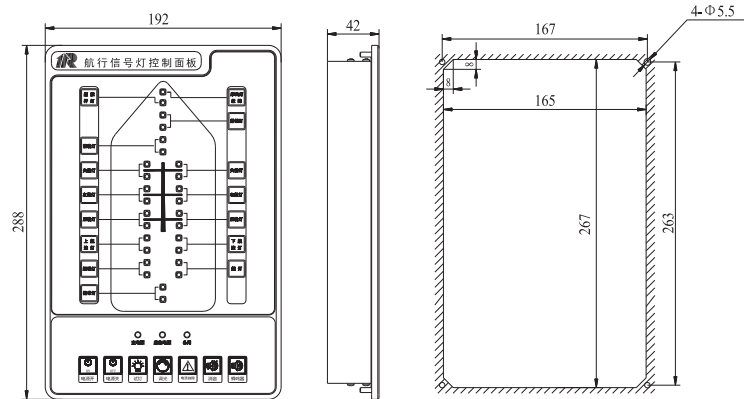


Fig.1

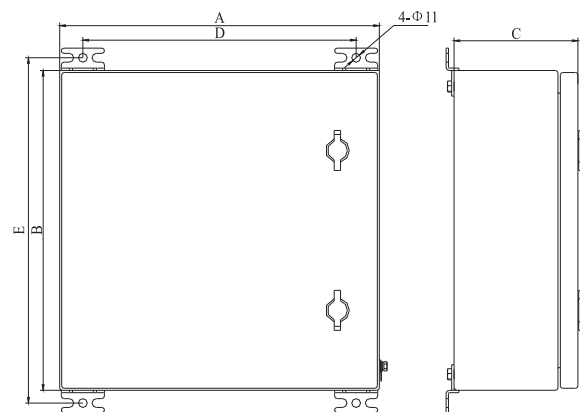


Fig.2

型号命名

Model naming

产品型号:航行信号灯控制器

Product model: Navigation and signal light controller

HXK -□ /□

航行信号灯路数

Number of ways of navigation and signal light

组成设备: P: 航行信号灯控制面板 B: 航行信号灯控制箱

Equipment composition: P: Navigation and signal light control panel B: Navigation and signal light control box

选型说明

Selection description

例：HXK-16/P

表示：16路的航行信号灯控制面板

For example: HXK-16/P

It means: 16-way navigation and signal light control panel

系统图

System diagram

